

# VECTOR T3 HANDLE



Flush compression Vector 3 T-handle with 4 mm compression stroke. Sealed to IP65 against water and dust. Four blind-mount studs and PUR-gasket ensure waterproof assembly.

Available with fixed or adjustable roller cams, as well as 1-, 2- and 3-point latching options. Vector T3 comes in zinc or stainless steel. The zinc version offers a handle with the turning pivot shaft in zinc with a cast-in-steel shaft for excellent strength. The stainless steel version with T-handle and pivot shaft in bright polished stainless steel is recommended for applications used in tough environments. Available with or without the turnable dust cover.

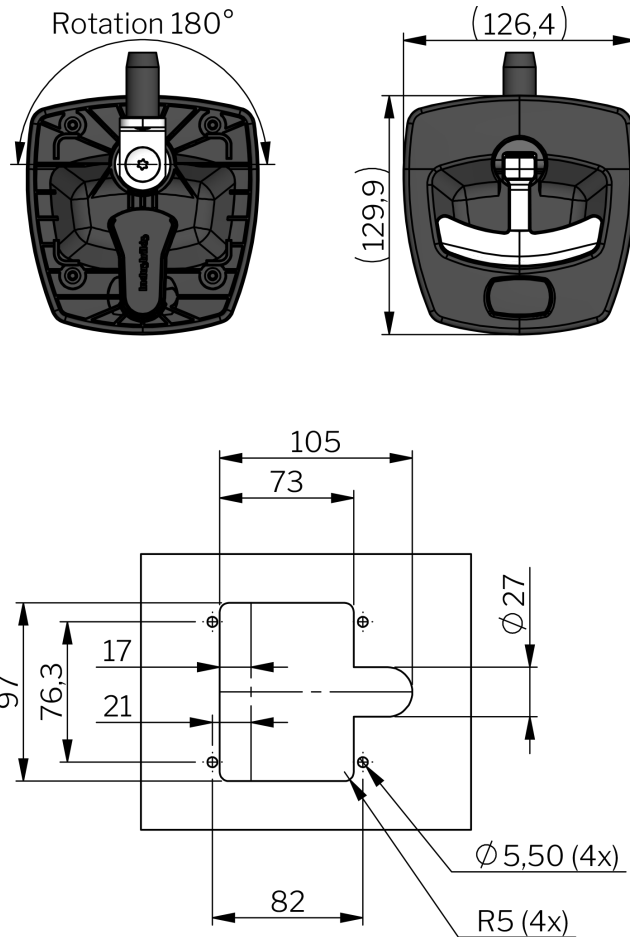


**MATERIAL**  
**Adjustable cam:** Zinc die cast, passivated  
**Body:** Glass fibre reinforced polyamide (PA6GF30)  
**Cast-in bolts:** Steel, black passivated  
**Cylinder:** Zinc die cast, stainless steel 304 cap and dust shutter  
**Dust cover, black:** Glass fibre reinforced polyamide (PA6GF30)  
**Handle:** Stainless steel 304, polished or zinc die cast, black texture powder coated  
**Roller:** Glass fibre reinforced polyamide (PA6GF30)  
**Rotating locking device:** Stainless steel 303  
**Shaft:** Stainless steel 303

**RELATED PRODUCTS**  
**Rods:** 2-540, 2-541  
**Rod guides:** 2-560, 2-570  
**Rod adapters:** 2-541  
**Similar products:** 2-800, 2-810, 2-820, 2-811  
 Use the Index Code at [industrilas.com](http://industrilas.com)

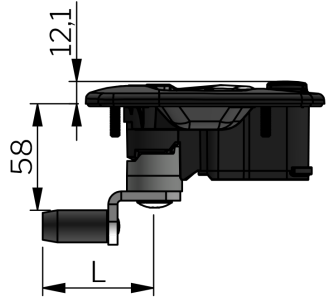
**TECHNICAL INFORMATION**  
 Maximum tightening torque 2,2 Nm.

**Industrilas**  
 — When access counts —

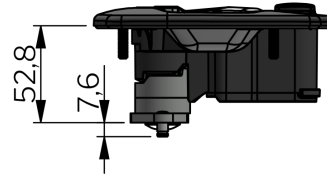


**A product number is created by combining the figures in each column (AAAA-BCCDDEFG-HH)**

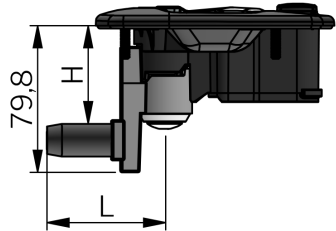
AAAA	Type	B Type	CC Cylinder	DD handle / Handle shaft	E Door thickness	F Dust cover	G Opening rotation	HH Cam	H=	L=
2752	Vector 3	1 Mechanical	02 Keyed to differ	23 Zinc / Steel Chrome	1 Max 10 mm	0 No 1 Yes	0 180° 1 90° clockwise 2 counter-clockwise	01 Fixed roller cam	58	61
			06 Keyed alike 751	26 Zinc / Steel Black				02 Two-point cam	-	-
			68 Keyed alike 805	36 SS304 / SS303 Black				03 Fixed three-point roller cam	66	85
			69 Keyed alike 810	39 SS304 / SS303 Polished				04 Adjustable three-point roller cam	10-61	60
			70 Keyed alike 815					05 Adjustable single point roller cam	10-61	61
			71 Keyed alike 820							
			72 Keyed alike 825							
			73 Keyed alike 830							
			74 Keyed alike 835							
			75 Keyed alike 840							
			76 Keyed alike 845							
			77 Keyed alike 850							
			80 Keyed alike 455							



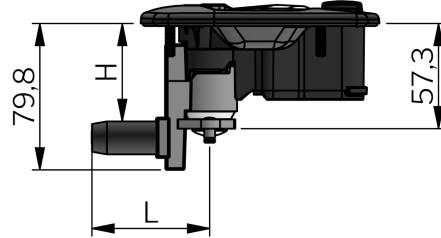
Fixed 1- point cam



Fixed 2- point cam



Adjustable 1- point cam



Adjustable 3 - point cam